

The Sole Manufacturer and Distributor in the Czech Republic:
ATEC v.o.s.

Factory address: ATEC v.o.s., Opolanská 350, 289 07 Libice nad Cidlinou
Czech Republic



ATEC 321 FAETA

Flight and Operations Manual

Libice nad Cidlinou, March 2011

Type of aircraft: **ATEC 321 FAETA**

Serial number:

Registration/call sign:

LAA CR Type Certificate: **ULL-04 / 2005** Date of issue: **19. 10. 2005**

The aircraft (Sport Flying Device) is not a subject of CAA authorization and is to be operated at own risk of the user.

The aircraft must be operated according to information and limits listed in this manual.

Contents	Chapter
General	1
Operational Limits	2
Emergency Procedures	3
Standard Procedures	4
Performances	5
Assembly, Disassembly	6
Aircraft Description and Systems	7
Maintenance	8
Weight, Centre of Gravity	9

Enclosures:

- 1. Log Book (example)**
- 2. Records of Revisions**
- 3. Service and Maintenance Book**

Chapter 1

1. General

1.1. Introduction

1.2. Personal Data of the Owner

1.3. Aircraft Description

1.4. Modifications and Changes

1.5. Aircraft Technical Data

1.6. Three-View Sketch

1.1. Introduction

Information provided within this manual is a necessary requirement for an effective and save operation of the **A TEC 321 FAETA** aircraft. The manual contents information which Manufacturer considers as important.

1.2. Personal Data of the Owner

Owner of aircraft:.....

Address:.....

Telephone No:.....

E-mail:.....

Date of ownership from:.....to:.....

Owner of aircraft:.....

Address:.....

Telephone No:.....

E-mail:.....

Date of ownership from:.....to:.....

Owner of aircraft:.....

Address:.....

Telephone No:.....

E-mail:.....

Date of ownership from:.....to:.....

1.3. Aircraft Description

ATEC 321 FAETA is an ultralight, two-seater, cantilever, low-wing aircraft of all carbon composite construction. The landing gear has a fixed tricycle gear with a steerable front wheel. The power unit is of pulling configuration and consists of ROTAX 912UL or ROTAX 912 ULS engine and of two-blade or three-blade fix or ground adjustable FITI propeller.

1.4. Modifications and Changes

If any structural or operational changes are made by the Manufacturer and need to be advised to the owner, the related documentation will be delivered to you and you are obliged to record them into your Manual. These documents will be published in ascending numerical series.

If the aircraft is sold to another person, the Manufacturer shall be announced about the name and the address of the new owner.

1.5. Aircraft Technical Data

Dimensions

Wing span			9,6 m
Length of fuselage			6,2 m
Total height			2,0 m
Wing area			10,1 m ²
Depth of mean aerodynamic chord			1,11 m
Span of horizontal tail surface			2,4 m
Flap position	I	10 °	45 mm
	II	20 °	90 mm
	III	35 °	150 mm
Aileron deflection	up	20 °	90 mm
	down	12 °	55 mm
Elevator deflection	up	22 °	80 mm
	down	18 °	65 mm
Rudder deflection	L/R	+/-20°	180 mm

Wing profile

Root area	SM 701
End area	SM 701

Landing Gear (tricycle with the front wheel)

Wheel spacing	1,9 m
Wheel base	1,4 m
Tire dimensions	350 x 120
Tire pressure	0,16 MPa / 1,6 atp

Suspension

Main gear	composite springs
Front wheel	rubber suspension

Brakes hydraulic disc brakes on the main gear

Rescue System installed/not installed USH 52 S SOFT PACK
 $v_{MAX} = 293 \text{ km/h}$

Weight

Empty weight kg
Maximum take-off weight 450 kg
Maximum take-off weight including rescue system installed 472,5 kg
Maximum luggage weight in the luggage compartment 5 kg

Power Unit and Engine Parameters

Propeller producer FITI design s.r.o., Řevnice, Czech Republic
Type of propeller **FITI ECO COMPETITION 2 blades / 3 blades**
Engine producer BOMBARDIER – ROTAX GmbH, Austria
Engine type **ROTAX 912 UL / ROTAX 912 ULS**

Engine Power

Take-off power 59,6 kW/80 HP/5800 RPM 73,5 kW/100 HP/5800 RPM
Maximum continuous power 58,0 kW/78 HP/5500 RPM 69,0 kW/94 HP/5500 RPM
Cruising power 37,7 kW/51 HP/4800 RPM 44,6 kW/60 HP/4800 RPM

Engine Speed

Maximum take-off engine speed 5800 RPM / 5 minutes maximum
Max. continuous engine speed 5500 RPM
Cruising engine speed 4800 RPM
Engine idle speed 1400 RPM approximately

Cylinder Head Temperature

Minimum 60 °C 60 °C
Maximum 150 °C 135 °C

Oil Temperature

Minimum 50 °C 50 °C
Maximum 140 °C 130 °C
Operational optimum 90 °C-110 °C 90 °C-110 °C

Oil Pressure

Maximum (short-term operated when cold start-up) 7,0 bar
Minimum 0,8 bar (engine speed below 3500 RPM)
Operational 2,0 – 2,5 bar (over 3500 RPM)

Fuel Type Recommended motor unleaded petrol of minimum octane number RON 95, 97

Oil Type Any brand-name oil intended for 4 stroke motorcycle engines, containing gearbox additives - API SF, SG + GL4 or GL5.
AeroShell Sport Plus 4 10W-40 preferentially recommended.

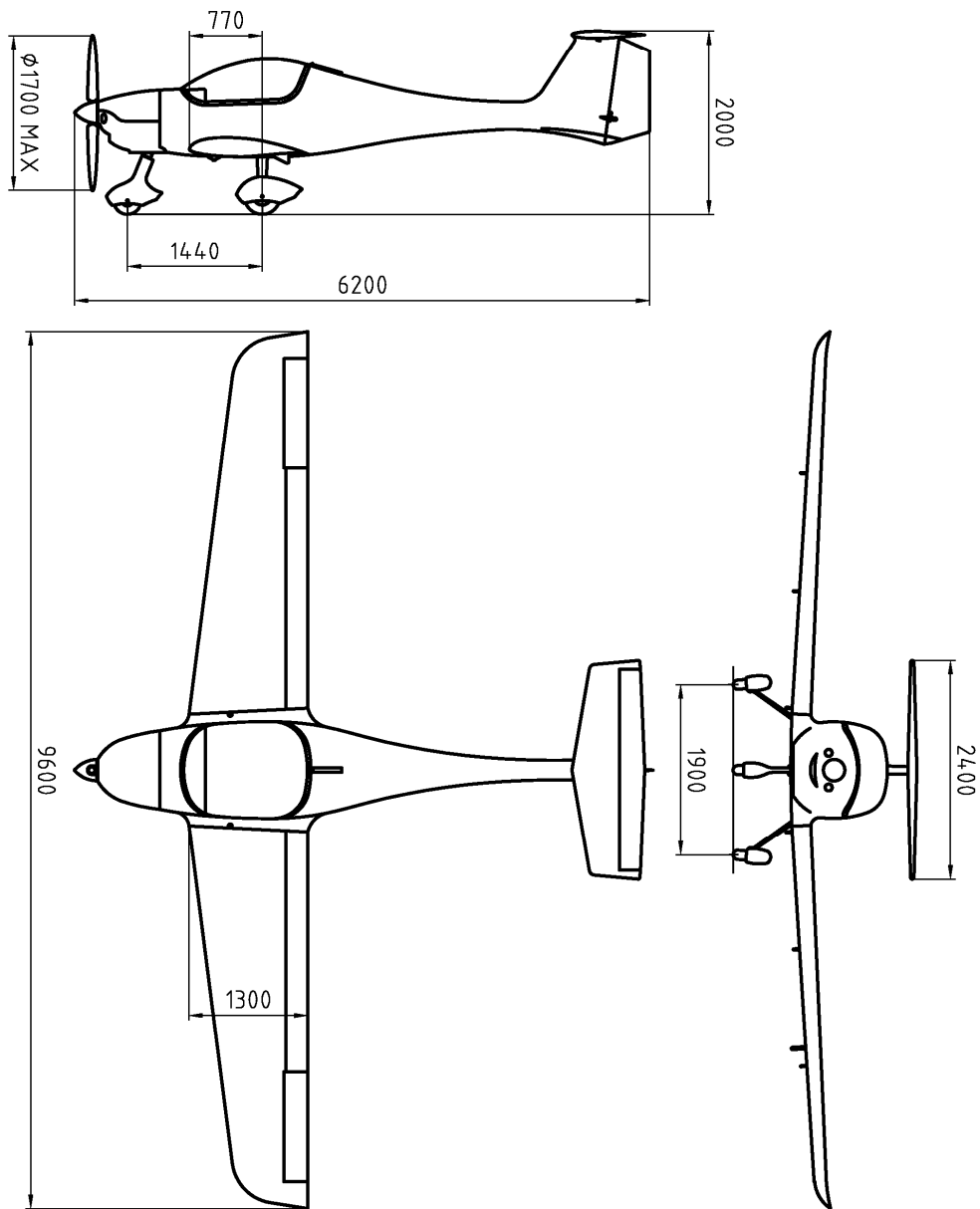
Cooling Liquid conventional (mix ratio 1:2) or Evans

ROTAX 912 UL is not a certified aviation engine. Any engine failure may occur at any time. The pilot is fully responsible for the operation of this engine and accepts all risk and consequences of an engine failure.

The correct operation of this aircraft is the sole responsibility of the pilot.

The pilot of a sport flying device is obliged to consider the flight altitude and flight track so that he could be able to make safety landing in case of engine failure.

1.6. Three-View Sketch



Chapter 2

2. Operational Limits

2.1. Introduction

2.2. Air Speed

2.3. Weight

2.4. Centre of Gravity

2.5. Manoeuvre and Gust Envelope

2.6. Permitted Manoeuvres

2.7. Load Factors

2.8. Type of Operation

2.9. Crew

2.10. Fuel tank

2.11. Wind

2.12. Other Restrictions

2.13. Labels and Markings

2.1. Introduction

The Chapter 2 contains operational limits necessary for safe operation of the aircraft.

2.2. Air Speed (CAS)

Never exceed speed V_{NE} 275 km/h 148 kt

Do not exceed this speed in any case!

Design manoeuvre speed V_A 165 km/h 89 kt

After exceeding this speed, do not use full deflection of any control surfaces and do not make any sudden control operations. An overload of the aircraft may occur!

Maximum design cruising speed V_C 227 km/h 123 kt

Do not exceed this speed except the flight in smooth air, but with caution!

Max. cruising speed at severe turbulence V_{RA} 225 km/h 122 kt

Do not exceed this speed at severe turbulence!

Max. speed, flaps deflected to I. (10 °) $V_{FE,I}$ 130 km/h 70 kt

Max. speed, flaps deflected to II. (20 °) $V_{FE,II}$ 120 km/h 65 kt

Max. speed, flaps deflected to III. (35 °) $V_{FE,III}$ 110 km/h 59 kt

Recommended speed, flaps deflected to III. V_{FE} 90 km/h 49 kt

Never exceed these speed limits when flaps deflected!

Stall speed, flaps retracted V_{S1} 64 km/h 35 kt

Flying this speed and with flaps retracted results in loss of lifting force and fall of the aircraft!

Stall speed in landing configuration V_{SO} 51 km/h 28 kt

Flying this speed with flaps deflected at the position III. results in loss of lifting force and fall of the aircraft!

2.3. Weight

Empty weight kg

Maximum take-off weight kg

Useful load kg

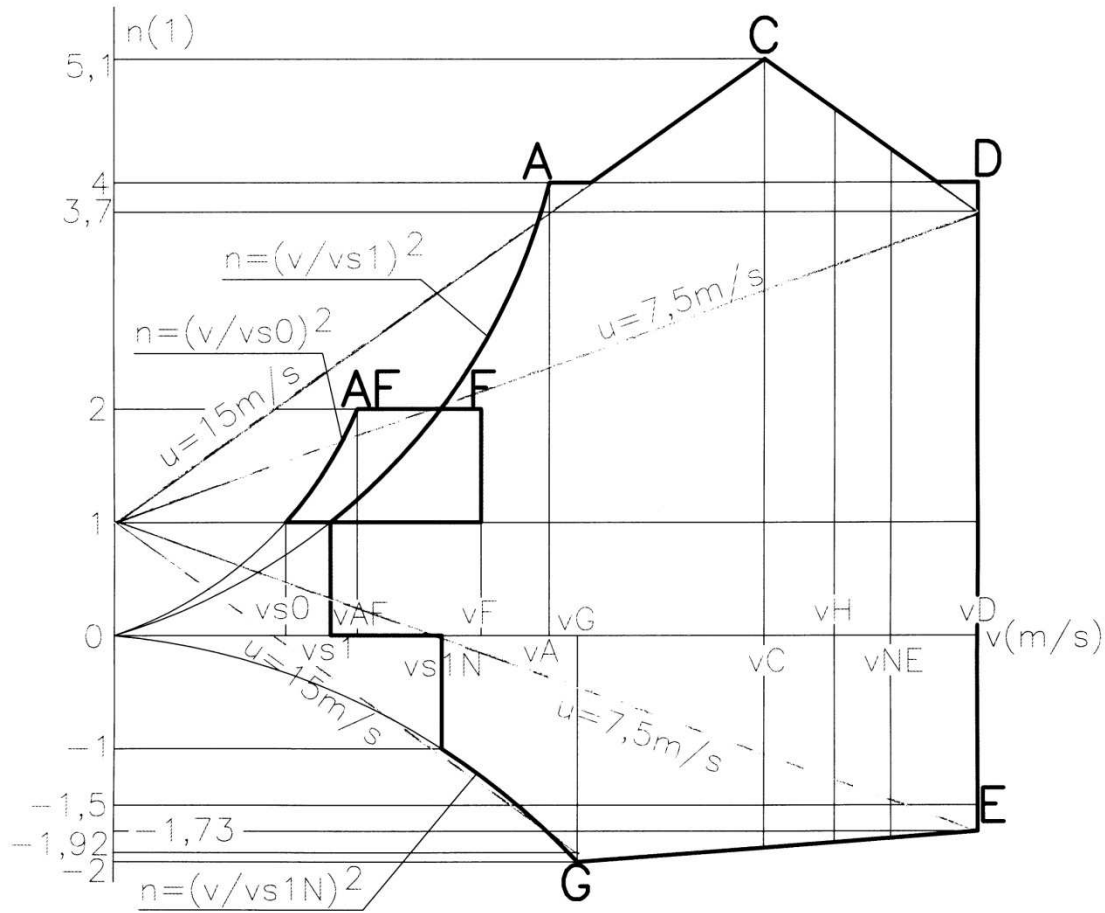
Never exceed the maximum take-off weight of the aircraft!

2.4. Centre of Gravity (CG)

CG of the empty aircraft % MAC

Flight range of CG 27-36 % MAC

2.5. Manoeuvre and Gust Envelope (CAS)



v_{SO}	=	61 km/h	=	16,9 m/s	=	32,9 kt
v_{S1}	=	76,8 km/h	=	21,3 m/s	=	41,5 kt
v_{AF}	=	86,2 km/h	=	24 m/s	=	46,6 kt
v_{S1N}	=	116 km/h	=	32,3 m/s	=	62,7 kt
v_F	=	130 km/h	=	36,1 m/s	=	70,2 kt
v_A	=	154 km/h	=	42,7 m/s	=	83 kt
v_G	=	164 km/h	=	45,6 m/s	=	88,7 kt
v_C	=	230 km/h	=	63,8 m/s	=	124 kt
v_H	=	255 km/h	=	70,8 m/s	=	138 kt
v_{NE}	=	275 km/h	=	76,4 m/s	=	148 kt
v_D	=	306 km/h	=	85 m/s	=	165 kt

2.6. Permitted Manoeuvres

Category of the aircraft: Normal

Operations are limited to non-aerobatic manoeuvres that include:

- Any manoeuvres necessary to normal flying
- Training of stalls
- Steep turns, in which the angle of bank is not more than 60°

Aerobatic manoeuvres are prohibited!

2.7. Load Factors

Maximum positive load factor in CG + 5,1 G
Maximum negative load factor in CG - 2,0 G

2.8. Type of Operation

Only VFR day flights are permitted (flight by visual reference to the ground during the daytime)

IFR flights (instrument flights) and flights by ice formation are prohibited!

2.9. Crew

Number of seats 2
Minimum weight of crew 60 kg
Maximum weight of crew 180 kg

2.10. Fuel tank

Fuel capacity 2 x 50 L
Not usable rest of fuel 1,2 L
Recommended motor unleaded petrol of minimum octane number RON 95, 97

2.11. Wind

The safe take-off and landing is only possible if the following wind speed limits are not exceeded:

- a) take-off or landing head wind up to 12 m/s
- b) take-off or landing tail wind up to 3 m/s
- c) take-off or landing cross wind up to 6 m/s

Never operate the aircraft exceeding wind range limits determined!

2.12. Other Restrictions

Smoking, using of mobile phone, explosives and combustible materials and movable objects transportation are prohibited on board of the aircraft.

2.13. Labels and Markings

The aircraft shall be equipped with mandatory labels and markings. These must be placed on the instrumental board in a visual field of pilot and must contain following information:

- Identification of the aircraft
 - Identification label
 - Serial number
 - Designation
 - Empty weight
 - Maximum take-off weight

- Operating limits
 - Weight limits depending on the weight of crew, fuel and luggage
 - Speed limits for standard flight configurations

- Passenger Warnings
 - Definition of aircraft category, its airworthiness conditions and limitations
 - Intentional spins, stalls and aerobatics prohibition

INTENTIONALLY LEFT

Chapter 3

3. Emergency Procedures

3.1. Engine Failure on Take-off

3.2. Engine Failure in Flight

3.3. Rescue System Activation

3.4. Fire on Board

3.5. Engine Loss

3.6. Emergency Landing

3.7. Safety Landing

3.8. Aborted Landing

3.9. Vibrations

3.1. Engine Failure on Take-off

1. Push the stick forward to get the aircraft to gliding flight maintaining the airspeed of 100 km/h (54 kt).
2. Determine the wind direction, adjust flaps to appropriate position, close the fuel valve, switch-off the ignition, adjust safety belts and switch off the main switch just before landing.
Note: Electric flaps actuation is only possible when the main switch is switched-on.
 - A) If up to 50m (160ft) of altitude, get the aircraft into the landing configuration and make a landing in take-off direction with respect to eventual obstructions.
 - B) If higher than 50m (160ft) of altitude, choose a suitable area for emergency landing.

3.2. Engine Failure in Flight

1. Get the aircraft to gliding flight maintaining the airspeed of 100 km/h (54 kt).
2. Check the fuel level and make sure ignition is switched on.
3. If no significant engine or installation failure found, try to start up the engine again using back-up fuel circuit.
4. If engine start-up is not possible, follow the instructions as described in Art. 3.1.

3.3. Rescue System Activation

In case of distress, when definitely losing control of flight, activate the rescue system.

1. Switch off the ignition
2. Adjust safety belts
3. Activate the rescue system

In case of landing on a limited area, when collision with an obstacle is inevitable, use the rescue system as a braking device of the aircraft.

The aircraft can be damaged or the crew may be injured when using a rescue system!

3.4. Fire on Board

1. Close the fuel valve
2. Open the throttle
3. Switch-off the main switch and ignition
4. Make emergency landing
5. Get off the aircraft

3.5. Engine Loss

1. Speed100 km/h (54 kt)
2. Flaps retracted
3. Instruments within tolerated values

3.6. Emergency Landing

Carried out in case of engine failure:

1. Speed.....100 km/h (54 kt)
2. Adjust safety belts
3. Flaps according to situation
4. Report the situation by the radio
5. Close the fuel valve
6. Turn off the ignition
7. Turn off the main switch

In case of emergency landing on terrain, on areas which are not authorized to take-off/landing of sport flying devices, the aircraft can be damaged or the crew may be injured!

3.7. Safety Landing

Carried out in case of orientation loss, fuel exhaustion or another reason when the aircraft is fully controllable.

1. Determine the wind direction
2. Choose a suitable landing area
3. Make a low pass into the wind along the right-hand side of landing area and inspect the terrain thoroughly.
4. Make a pattern flight
5. Calculate the landing plan
6. Land in the first third of the landing area using flaps landing position

3.8. Aborted Landing

Carried out in case of wrong calculation of landing manoeuvre or bounce when landing and the pilot considers aborted landing manoeuvre as more safety and decides to continue the flight.

1. Set up engine speed on maximum power
2. Set up take-off flaps position – I
3. Get to level speed of 110 km/h (59 kt)
4. Draw up control stick slowly to get aircraft into climbing by speed 110 – 120 km/h (59 – 65 kt)
5. Retract flaps

Throughout the flight, maintain the aircraft in take-off trajectory using rudder control.

3.9. Vibrations

In case of unusual vibrations occur, it is necessary to:

1. Set the engine speed to appropriate run on which the vibrations are the lowest
2. Carry out the safety landing, eventually find the nearest aerodrome to land

INTENTIONALLY LEFT

Chapter 4

4. Standard Procedures

4.1. Pre-Flight Inspection

4.1.1. Procedures Before Entering the Cockpit

4.1.2. Procedures After Entering the Cockpit

4.1.3. Procedures Before Engine Start-up; Engine Start-up

4.2. Engine Warm-up

4.3. Taxiing

4.4. Engine Check

4.5. Procedures Before Take-off

4.6. Take-off and Climbing

4.7. Cruising Flight

4.8. Descending and Landing

4.9. Flight in Rainy Conditions

4.1. Pre-Flight Inspection

It is important to carry out the appropriate pre-flight inspection. To perform a negligent or incomplete inspection could be the cause of an accident. The Manufacturer recommends to do the following procedure:

4.1.1. Procedures Before Entering the Cockpit

1. Ignition ⇒ switched off
2. Main switch ⇒ switched off
3. Wings ⇒ check surfaces condition, ailerons and flaps free movement, clearances, hinges and connections of the controls, security of wing pins, Pitot tube
4. Tail surfaces ⇒ check surface condition, elevator and rudder secure connections, clearances and free movement
5. Fuselage ⇒ check surface condition
6. Landing gear ⇒ check laminate spring surface condition, secure fixation of main and front wheels and their covers, screws and nuts security, correct tire pressure, brake function
7. Engine ⇒ check condition and fastening of engine cowlings, the condition of engine bed, intact fuel, oil and cooling system hoses, screws and nuts security, exhaust pipe and carburettor attachment, cooling liquid and oil level, fuel system drain
8. Propeller ⇒ check surface condition, intact, condition and fastening of the propeller cone

4.1.2. Procedures After Entering the Cockpit

1. Cockpit ⇒ check fastening and locking of the canopy, correct function and condition of electrical installation of instruments, condition of flight instruments, fuel level check, proper function of controls
2. Foot-operated steering ⇒ check function
3. Brakes ⇒ check function, brakes on
4. Hand-operated steering ⇒ check function
5. Flaps ⇒ check function, retract
6. Fuel valve ⇒ turned off
7. Throttle ⇒ idle
8. Fuel level indicator ⇒ check fuel volume
9. Main switch ⇒ switched off
10. Ignition ⇒ switched off
11. Instruments ⇒ check condition, zero values, altimeter adjustment

4.1.3. Procedures Before Engine Start-up, Engine Start-up

1. Rescue system ⇨ unlock
2. Safety belts ⇨ fasten
3. Canopy ⇨ close and lock
4. Fuel valve ⇨ turn on
(open/select the left or right position depending your needs for the appropriate tank use)
5. Throttle ⇨ idle
6. If the engine is cold, open the choke
7. Main switch ⇨ switch on
8. Ignition ⇨ switch on
9. Brakes ⇨ on
10. Start-up the engine
11. Oil pressure ⇨ minimum of 0,8 bar within 10 seconds
12. Choke ⇨ turn-off
13. Warm up the engine to the operating temperature

Never unlock neither open the canopy after the engine is started-up!

4.2. Engine Warm up

Start to warm up the engine when 2000 RPM, hold approx. 2 minutes and then continue up to 2500 RPM until the oil temperature reaches 50°C.

After the engine is warmed up to the standard operating temperature, start taxiing and prepare to take-off without undue delay! If further standing on spot when the engine is running, the engine is not sufficiently cooled and may be overheated and so damaged. Overheating of the engine compartment may cause damages on the composite structure in the engine compartment!

4.3. Taxiing

Recommended maximum speed of taxiing is 15km/h (8kt). The direction is controlled by the front wheel. Braking is carried out with the brake lever on the left stick. Control stick is on the neutral position.

- in case of strong headwind, push the control stick forward
- in case of crosswind, keep the control stick position opposite to wind direction

4.4. Engine Check

1. Brakes ⇒ on
2. Throttle ⇒ engine speed of 4000 RPM
3. Switch off 1st ignition circuit ⇒ engine speed after stabilizing must not drop below 300 RPM
4. Switch on both ignition circuits ⇒ engine speed of 4000 RPM
5. Switch off 2nd ignition circuit ⇒ engine speed after stabilizing must not drop below 300 RPM

Note: The RPM speed difference between ignition circuits running separately must not be more than 120 RPM.

6. Left and Right fuel tank check ⇒ during engine run, the fuel pressure must not drop below the allowed value in either of fuel tanks in use. During the change-over of fuel tank, a short-term pressure drop may occur, but after the tank is selected, the pressure must increase back to appropriate values.

4.5. Procedures Before Take-off

Compulsory checking procedures prior to take-off:

1. Brakes ⇒ brake-on
2. Foot-operated steering ⇒ free travel
3. Hand-operated steering ⇒ free travel
4. Flaps ⇒ position I.
5. Fuel valve ⇒ open/select the appropriate (left/right) position on the selector depending on fuel tank intended to use.

Note: The left fuel tank is considered as the main one, where the return circuit is installed so the fuel flows back only into this tank. If the left tank is filled up, select first the left tank and then the right one. The fuel can only return to the left tank.

6. Choke ⇒ turned off
7. Throttle ⇒ idle
8. Fuel gauge indicator ⇒ fuel volume check
9. Instruments ⇒ on and within operating limits
10. Safety belts ⇒ adjusted, secured
11. Canopy ⇒ closed and locked

4.6. Take-off and Climbing

Release the brakes. Make the aircraft move by accelerating until the maximum throttle position is reached. Control stick is in neutral position. Control the front wheel and the rudder as to keep the aircraft in the runway trajectory. When reaching the speed of 75km/h (45kt), lift up the aircraft off the ground and continue the take-off up to the speed of 110 km/h (59kt). Then, gently pull the control stick to start climbing when optimum speed of 110km/h (59kt). After reaching the stable climbing speed of 110-120km/h (59-65kt) and over 50m (160ft) of altitude, retract the flaps fluently. During the take-off, the engine operating limits must not be exceeded.

4.7. Cruising Flight

A TEC 321 FAETA has good flight characteristics in the whole range of permitted speeds and centre of gravity positions. The cruising speed range is of **120 – 227km/h (65 – 123kt)**.

4.8. Descending and Landing

Descending

Carry out the descending keeping the throttle on idle at the speed of 100km/h (54kt).
Flaps position limits according to Art. 2.2.

Procedures on final:

1. Speed of 90km/h (49kt)
2. Flaps position III (position II in case of strong turbulence or strong headwind)
3. Throttle idle or corrected if necessary
4. Instruments within the permitted limits

Landing

The speed of the aircraft in the hold-up position decreases by soft pulling the control stick until touching down at the speed of 70km/h (38kt). After the touch down of the front wheel, the landing distance can be shortened by braking.

Do not apply a maximum braking effect except an extreme situation. A frequent brake use results in undue wear of tyres, brake pads and discs. A frequent intensive braking may cause a mechanical over-stress of undercarriage and other load bearing structure. This may shorten the life-time of the airframe.

4.9. Flight in Rainy Conditions

During the flight in the rain, it is necessary to pay close attention to the aircraft control because of poor visibility and canopy limited transparency. Furthermore, shorter hold-up position when landing and extended take-off distance must be taken into account.

Maintain the following speed during the flight in rainy conditions:

1. Climbing 120 km/h (65kt)
2. Cruising flight 120 – 180 km/h (65 – 97kt)
3. Descending for landing 110 km/h (59kt), flaps positions I and II as by Art. 2.2.

Chapter 5

5. Performances

5.1. Introduction

5.2. Air Speed Indicator Corrections

5.3. Stall Speed

5.4. Altitude Loss by Stalling

5.5. Take-off Distance up to 15m / 50ft of Altitude

5.6. Rate of Climb

5.7. Cruising Speeds

5.8. Flight Range

5.1. Introduction

The Chapter contents the information on speed indicator calibration, stalling speed and other performances of the ATEC 321 FAETA with ROTAX 912 UL and ROTAX 912 ULS engine and propeller FITI ECO COMPETITION 3L/160 adjusted to the angle of attack of 18°/80 HP and 21°/100 HP.

5.2. Air Speed Indicator Corrections

CAS km/h	CAS kt	IAS km/h	IAS kt	Deviation km/h	Deviation kt	Note
57,0	30,8	51,2	27,6	-5,8	-3,1	V _{S0}
69,0	37,3	64,0	34,6	-5,0	-2,7	V _{S1}
80,0	43,2	75,8	40,9	-4,2	-2,3	
100,0	54,0	97,2	52,5	-2,8	-1,5	
110,0	59,4	108,8	58,7	-1,2	-0,7	V _{FIII}
120,0	64,8	120,4	65,0	0,4	0,2	V _{FII}
130,0	70,2	132,0	71,3	2,0	1,1	V _{FI}
140,0	75,6	143,7	77,6	3,7	2,0	
158,0	85,3	164,6	88,9	6,6	3,6	V _A
170,0	91,8	178,5	96,4	8,5	4,6	V _{RA}
180,0	97,2	190,1	102,7	10,1	5,5	
200,0	108,0	213,4	115,2	13,4	7,2	
212,0	114,5	227,3	122,8	15,3	8,3	V _C
220,0	118,8	236,6	127,8	16,6	9,0	
240,0	129,6	259,9	140,3	19,9	10,7	
249,0	134,4	270,3	146,0	21,3	11,5	V _H
260,0	140,4	283,1	152,9	23,1	12,5	
270,0	145,8	294,7	159,2	24,7	13,4	V _{NE}
280,0	151,2	306,4	165,4	26,4	14,2	
300,0	162,0	329,6	178,0	29,6	16,0	V _D

5.3. Stall Speed (CAS)

Engine idle	Flaps retracted	Flaps I (10°)	Flaps II (20°)	Flaps III (35°)
Solo flight	70,5 km/h 38,1 kt	61,9 km/h 33,4 kt	58,7 km/h 31,7 kt	47,1 km/h 25,4 kt
472,5 kg	64,0 km/h 34,6 kt	62,0 km/h 33,5 kt	60,8 km/h 32,8 kt	51,2 km/h 27,6 kt

Engine off	Flaps retracted	Flaps I (10°)	Flaps II (20°)	Flaps III (35°)
Solo flight	70,5 km/h 38,1 kt	61,9 km/h 33,4 kt	58,7 km/h 31,7 kt	47,1 km/h 25,4 kt
472,5 kg	64,0 km/h 34,6 kt	62,0 km/h 33,5 kt	60,8 km/h 32,8 kt	51,2 km/h 27,6 kt

5.4. Altitude Loss by Stalling

<i>Level flight flap position</i>	<i>Flap deflection</i>	<i>Altitude loss</i>	
I	10°	30 m	100 ft
II	20°	30 m	100 ft
III	35°	30 m	100 ft
0	0	30 m	100 ft

5.5. Take-off Distance up to 15m / 50ft of Altitude

<i>Engine</i>	<i>80 HP</i>		<i>100 HP</i>	
<i>Runway surface</i>	<i>Take-off distance</i>		<i>Take-off distance</i>	
Asphalt	270 m	880 ft	245 m	800 ft
Grass	290 m	950 ft	265 m	870 ft

5.6. Rate of Climb - when speed of 110 km/h (59 kt)

<i>Engine</i>	<i>80 HP</i>		<i>100 HP</i>	
Solo flight	6,0 m/s	19,69 ft/s	7,5 m/s	24,60 ft/s
472,5 kg	4,5 m/s	14,76 ft/s	6,0 m/s	19,69 ft/s

5.7. Cruising Speeds

ROTAX 912 UL 80 HP

<i>Air speed</i>		<i>RPM</i>	<i>Consumption</i> l/h
<i>km/h</i>	<i>kt</i>		
120	65	4000	5,8
140	76	4250	7,2
160	86	4400	9,5
180	97	4700	10,8
200	108	5000	13,1
220	119	5300	17,0

ROTAX 912 ULS 100 HP

<i>Air speed</i>		<i>RPM</i>	<i>Consumption</i> l/h
<i>km/h</i>	<i>kt</i>		
120	65	3500	7,5
140	76	3700	8
160	86	4100	10,1
180	97	4500	13,2
200	108	4800	14,7
220	119	5200	17,5
240	130	5500	20

5.8. Flight Range

When maximum fuel capacity of 100 l

ROTAX 912 UL 80 HP

<i>Air speed</i>		<i>Flight range</i>		<i>Flight endurance</i>	<i>Flight reserve (10 L)</i>
<i>km/h</i>	<i>kt</i>	<i>km</i>	<i>n.m.</i>	<i>h</i>	<i>h</i>
140	76	1750	945	12:30	1:23
160	86	1515	818	9:28	1:23
180	97	1500	810	8:20	0:55
200	108	1374	742	6:52	0:45
220	119	1164	628	5:17	0:35

ROTAX 912 ULS 100 HP

<i>Air speed</i>		<i>Flight range</i>		<i>Flight endurance</i>	<i>Flight reserve (10 L)</i>
<i>km/h</i>	<i>kt</i>	<i>km</i>	<i>n.m.</i>	<i>h</i>	<i>h</i>
140	76	1575	850	11:15	1:15
160	86	1425	769	8:54	1:00
180	97	1227	662	6:48	0:45
200	108	1224	661	6:06	0:40
220	119	1131	610	5:06	0:34
240	130	1080	583	4:30	0:30

Information on engine RPM, consumption, flight endurance and flight range are of informative character only. These values depend on propeller type and adjustment, flight altitude, temperature, air pressure and loading. The flight range is considered as theoretic, when windless conditions. Consider these factors when planning your flight and figure on the safety flight reserve.

Chapter 6

6. Aircraft Assembly/Disassembly

6.1. Introduction

6.2. Horizontal Tail Assembly/Disassembly

6.3. Wings Assembly/Disassembly

6.1. Introduction

The assembly of individual parts of the aircraft is described in this chapter. At least two persons are needed for assembly/disassembly. All parts necessary for assembly are delivered with the aircraft.

Before assembly, clean, grease and then secure all pins. Pay attention to correct adjustment of ailerons and flaps, which is carried out by shortening and prolonging of connecting pushrods.

During each next assembly, it is necessary to replace locking nuts and split pins with new pieces.

After aircraft assembly, carry out deflections adjustment by levelling record and engine run test with a focus on both fuel tanks function and check fuel indicators correct function.

6.2. Horizontal Tail (HT) Assembly / Disassembly

At least two persons are needed for HT assembly/disassembly. Third person is recommended to push the fuselage tail down to the ground for better access to HT.

Pay attention to avoid a fall of small parts into the tail fin inner space during manipulation!

Horizontal tail assembly

•Elevator pushrod connection

Deflect the control stick into the „pushed“ position and softly secure to avoid its movement during assembly (for better accessibility to elevator pushrod).

Put the HT on the appropriate place on the fuselage tail over the rudder. Your assistant holds the HT in upward position (for better access to pushrod) over the rudder, keeping stabilizer deflected maximally in „up“ position. Connect the pushrod with the elevator using the pin of Ø5mm and spacer + split pin. Connect the cable connector of servo (if electrical trim option).

•Fixing the HT to the fuselage

Settle the HT on the fuselage and fix it with two M8 main fitting screws. Do not fully tighten them yet. Insert the vertical screw M6 (with nylon) into the hole on the upper side of the HT and tighten it fully with adequate power.

Come back to both M8 main fitting screws and tighten them fully.

•Screws securing

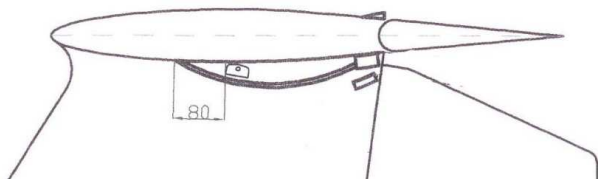
Secure both M8 screws with a binding wire. Appropriate holes for binding wires are situated in the main fitting and four holes are in the screw head.

Secure the vertical nylon-screw with a binding wire too. One hole is drilled in the horizontal tail body and two holes are in the screw head.

Finally, cover the hole upside the horizontal tail with a white sticker (to avoid water inlet).

•HT fitting covers assembly.

HT fitting covers help to avoid vibration occurrence in flight. Apply the HT fitting fiber-glass covers (obtained with double-side tape) according to following picture:



Horizontal tail disassembly

Put away the fiber-glass covers of HT fitting (pay attention not to damage it - needed for next assembly). Release and unscrew M6 screw adjusting the position of HT (situated upside the stabilizer). Release and remove M8 screws of the main HT fitting. Tilt the HT so that it is possible to disconnect the pin of HT control. Remove the HT and keep it in a safe place to avoid its damage. Secure the ball bearing with a binding wire.

6.3. Wings Assembly/Disassembly

At least two persons are needed for wings assembly/disassembly.

Do not push on the wing surface during manipulation to avoid cracks on the gel-coat (especially in the area of material connections). Lay the wings down on a smooth, soft pad (e.g.mattress).

Wings assembly

(valid for the left as for the right wing)

•Flap pushrod preparation - connection in wing

Put the wing by its leading edge down on the soft pad. Hold the wing with your assistant, who deflect the flap to enable a better access to you. Connect the flap pushrod with the flap lever installed inside the wing. Pay attention to install the correct pushrod (LEFT or RIGHT) to appropriate wing. Pay attention to correct pushrod position (non-adjustable end leads into the wing and the adjustable one into the fuselage - see the sticker with letters L/R on its upper side). Fix the connection with the pin $\varnothing 5\text{mm}$ and spacer + split pin (all parts attached to the pushrod).

•Aileron pushrod preparation - connection in wing

Screw the aileron pushrod to the adjustable end which extrudes from the wing. Pay attention to install the correct pushrod (LEFT or RIGHT) to appropriate aileron. Exact trimming will be adjusted later.

•Wing Connection to the fuselage

Prepare two of main wing pins lubricating with an adequate quantity of vaseline. Pay attention - UPPER wing pin is WITHOUT scroll, LOWER wing pin is WITH scroll.

Your assistant holds the wing at the wingtip and you at the root (the third assistant which can hold the wing at the root's trailing edge is useful, but not necessary).

Insert the wing into the fuselage partially that those two pushrods (aileron and flap) enter the fuselage through corresponding holes. Support the wing by your knees and connect the rest of equipment:

- static and dynamic pressure hoses of Pitot tube (just on the left wing)
Note: Pay attention not to interchange the hoses of Pitot tube during assembly.
- quick coupling of fuel hoses from fuel tanks
- connector of fuel gauges cable
- connector of strobes/position lights cable (if equipped with)

Finish inserting of the wing into the fuselage and apply main pins. Start with upper pin (without scroll) and then the bottom pin (with scroll). This operation requires careful use of the hammer. Beat the pin through the use of auxiliary metal rod (Ø 18mm). The assistant at the wing tip pays attention to the correct dihedral angle. Both pins must be inserted to their fully beaten position.

Secure the pins with the bolt from upper side – tightening moment is approx. 25 Nm.

Apply the locking nut M10 from the bottom side, then the wing connection is secured completely. Finally, cover the holes with white sticker (to avoid water inlet).

•Flaps pushrods connection in the cockpit

Take seats out of the cockpit (as to be the flap lever in the central tunnel accessible).

Realize the connection with the pin Ø5 and spacer + split pin (all parts attached to the pushrod).

There is a permitted exception – to insert the pin Ø5 from the bottom side (for better accessibility by assembling the spacer and split pin)

Install seats back.

•Ailerons pushrods connection in the cockpit

Screw the pushrod (to the control stick) into the fully tightened position and then loosen it up in a number of turns (marked on the pushrod). This ensures correct neutral position of ailerons. Realize the connection with the pin Ø5 and spacer + split pin (all parts attached to the pushrod)

Wings disassembly

First of all, drain off the fuel from both wing tanks.

Disconnect rods of ailerons (on the control stick) and flaps rods (in the central tunnel) in the cockpit. Release and remove the locking nut of bolts of wing pins. Screw the bolt off by approx. 2cm. The assistant (holding it at the wing tip) can lift the wing a little. Beat out the bottom pin with a hammer by light taps on the head of the bolt. Unscrew the bolt and remove the bottom pin. Then the upper pin is driven out using the hammer through the metal rod of Ø 18mm.

After pins removal, support the wing by your knees and disconnect the equipment:

- static and dynamic pressure hoses of Pitot tube (just on the left wing)
Note: Pay attention not to interchange hoses of Pitot tube during their re-assembly.
- quick coupling of fuel hoses from fuel tanks
- fuel gauges cable and strobes/position lights cable (if equipped with)

Chapter 7

7. Aircraft and System Description

7.1. Wing

7.2. Fuselage

7.3. Tailplane

7.4. Landing Gear

7.5. Steering

7.6. Drive Unit

7.7. Fuel System

7.8. Instruments

7.9. Controlling Elements

7.10. Canopy

7.11. Cockpit Equipment

7.1. Wing

The cantilever tapered backswept wing of an angle of 5,5° with SM 701 airfoil along the all span is a reinforced shell of a carbon-fibre sandwich with a carbon-fibre coating. The wing spar is made of laminated hard beech wood saturated with synthetic resin and is situated in 30% of wing depth. The ailerons are hinged on the rear spar and slotted flaps are hinged on fiberglass hinges. Ailerons and flaps are made of all composite structure. Wing root ribs are made of carbon sandwich, other ribs are of plastic foam. The main spar is welded of high quality CrMo steel tubes.

7.2. Fuselage

The fuselage is all composite carbon-fibre shell braced with carbon sandwich bulkheads, NOMEX honeycomb and hardened foam. The fuselage cross section is of elliptic shape with a spacious cockpit and aerodynamic wing bases. In the front part of the fuselage is the engine separated from the cockpit by fireproof wall to which the engine mount and the steerable nosewheel are fixed. The cockpit is covered with the canopy. The luggage compartment with two small side-windows behind seats are the part of the cockpit.

7.3. Tailplane

The T-shaped tailplane construction consists of tapered vertical and horizontal tail with fix stabilizer and elevator. The elevator trim can be mechanical or electrical. The tail fin is an integral part of fuselage. The rudder suspended to the last fuselage bulkhead is made of fiber-glass.

7.4. The Landing Gear

The landing gear is a fixed tricycle undercarriage with a steerable front wheel. The main gear is constructed as a pair of leaf springs of composites. The front leg is made of composites and metal tube suspended with rubber spring. The main gear is a pair of composite springs. Electronic main wheels size is 350x120 mm, front wheel size is 300x100 mm. The main wheels are equipped with hydraulic disc brakes. Fairings are installed on all wheels.

7.5. Steering

The steering of all control surfaces is duplicated. The ailerons, flaps and elevator are controlled by control rods and levers, the rudder is controlled by steel wire ropes. Lift flaps are optionally equipped with electrical control. All control attachments are situated as to not interfere with the airframe contour. The important checking points in wings are equipped with inspection holes with perspex covers.

7.6. Drive Unit

The standard option of the drive unit are ROTAX 912 UL 80 HP or ROTAX 912 ULS 100 HP engine and three or two blade FITI ECO COMPETITION propeller, which can be fix, ground adjustable or adjustable in flight.

7.7. Fuel System

The fuel system consists of two fuel tanks inbuilt in wings with a total fuel capacity of up to 100 litres (2 x max.50l). The piping connection is equipped with a sediment bowl and a drain plug. The fuel supply is assured by two independent circuits with back-up electrical pump. The fuel pressure is monitored by fuel-pressure gauge. When the fuel indicator light is turned-on, the fuel reserve is 10L.

7.8. Instruments

The instrumental equipment consists of basic instruments for flight and engine control and navigation. The static and dynamic pressure is taken from the Pitot tube installed at the bottom of the left wing. Instruments layout on the dashboard is described on the picture in Art. 7.11.

If the aircraft is equipped with SSR transponder, this must be active during the flight. The installation of SSR transponder must be provided by competent authorized person.

Basic transponder squawks: 2000 - controlled flight
7000 - uncontrolled flight
7500 - unlawful interference (hijack)
7600 - communication failure / radio contact loss
7700 - emergency

When setting up the new squawk the transponder must be in "STAND-BY" mode.

7.9. Controlling Elements

Foot-operated control

Pushing the left pedal when adequate speed, the aircraft turns left when moving on the ground or in the air, and vice versa. Pedals can be adjustable in three positions (optional equipment).

Hand-operated control

By pulling the control stick towards the pilot, the nose lifts up (the angle of attack increases) and the aircraft climbs. By pushing the control stick, the aircraft descends. By deflecting the control stick to left, the aircraft banks to left, and vice versa.

Wing flaps – mechanical option

By pressing the securing pin on the flaps control lever, wing flaps are released and ready to actuate. Pulling the lever upward flaps are extending step by step to positions I, II, III, and vice versa.

Wing flaps – electric option

The flaps are actuated by linear potentiometer adjusting positions OFF, I, II, III. All flap positions are indicated by indicator light.

Engine throttle

By moving the throttle forward, the engine power increases, and vice versa.

Choke

Choke pushrod pulled – choke is turned on
Choke pushrod pushed – choke is turned off

7.10. Canopy

The cockpit is covered with hinged perspex canopy with two small sliding windows. The canopy is opening up and backward. Electrical blocking system on canopy lock disables to start-up the engine if the canopy is not closed well. Mechanical blocking system (the lever to open/close canopy) prevents from canopy self-opening during the flight. Small fan installed upside the dashboard avoids canopy fogging (optional equipment).

7.11. Cockpit Equipment

(as by individual configuration)

Chapter 8

8. Care and Maintenance

8.1. Maintenance Schedule

8.2. Aircraft Repairs

8.3. Engine Major Overhaul

8.4. Anchorage of the Aircraft

8.5. Cleaning and Care

8.1. Maintenance Schedule

Inspection, Mandatory Work	Inspection Period (hours)				
	10	25	50	100	200
Engine					
inspected and maintained as per ROTAX manual attached.					
Engine Compartment					
Engine Bed Check integrity of construction with a special focus on welds, fixing points, silent blocks, bushing. Check surface condition.				x	
Bolted Connections Check surface condition of bolted connections, bearing surfaces. Check securing and tightening. Tighten and re-secure if necessary. Replace locking nuts, split pins and securing wires.			x		
Silentblocks Check elasticity of engine bearing, integrity of rubber blocks, degree of permanent deformation. Replace silent blocks if necessary, tighten, secure.				x	
Oil, Water and Fuel Hoses Check surface integrity, liquid leakage, condition of connections, protection avoiding touch with oscillating parts and exhaust system. Replace if necessary.		x			
Working Liquids Check level, refill according to instructions of engine producer.	x				
Coolers Check integrity, sealing, purity.				x	
Controls Check control forces, free play, hinges, end stops adjustment, self-locking. Adjust, secure.			x		
Exhaust piping Check integrity, sealing, surface condition, corrosion degree, springs condition and springs prestress. Grease ball connections with a special lubricant.				x	
Carburettors Check surface condition, controls adjustment, condition of elastic connection flange – integrity, sealing. Replace flange if material degradations or surface cracks appear.		x			
Electric Installations Check condition, integrity and purity of cables, insulation, contacts, welds, bunched cables attachments to airframe and bushings. Check gauges and senders connections.					x
Propeller Attachment Check condition of bolts, tightening moments, securing.				x	

	10	25	50	100	200
Cockpit					
Control Sticks Check free movement in longitudinal and cross direction, clearance fits, end stops adjustment, securing. Replace pins or bolts if worn-out, grease, secure.				x	
Rudder Control Check integrity of pedals with a special focus on surface cracks near welds. Full and free movement right and left (raise nose wheel off ground), end stops adjustment, rudder cables tension, clearance fits, securing. Adjust, replace worn-out parts, grease, secure.				x	
Flap Control Check free movement of flaps and control lever, stable bearing in each flap position, interlock pin wear. Replace worn-out parts, grease, secure.			x		
Canopy – Open / Close Check condition and function of locks and hinges, canopy bearing. Adjust, replace worn-out parts, grease, secure.					x
Flight and Engine Instruments Check legibility, markings, mounting in the panel board, air-operated and electric installation, wiring.					x
Electric Installations Check condition, integrity and purity of cables, insulations, contacts and welds. Battery attachment, operating condition.					x
Safety Belts Check fixing points rigidity, belt surface condition, adjustment.				x	
Fuel System Check leakage, fuel supply, pumps, gauge and valve function, tank ventilation and deterioration. Replace fuel filters.		x			
Parachute Rescue System Visual check of general condition, rocket, lines, attachment to bulkhead. Maintenance as by instructions of rescue system producer.					x
Landing Gear					
Main Gear Check attachment rigidity, surface condition, clearance, degree of permanent deformation.			x		
Wheels Check attachment, brakes condition, brake pads and disc condition, brake system leakage. Attachment and purity of wheel spats.		x			
Front Gear Check general condition, surface, integrity, rubber spring condition and deflection when loaded, steering condition. Grease sliding bearings, replace rubber springs if worn-out.		x			
Fuselage Check general condition, integrity, purity. Antennas, lights, covers and cowlings attachment.					x

	10	25	50	100	200
Wings Check general condition, surface condition, integrity, attachment, fittings, bolts, clearance. Ailerons and flaps condition, surface condition, hinges, clearance, securing. Controls condition, free movement, end positions, clearance. Pitot tube condition and attachment.			x		
Tail Surfaces					
Rudder, Elevator Check general condition, hinges, movement, clearance, securing.					x
HT Stabilizer Check general condition, attachment, fittings, securing.				x	

8.2. Aircraft Repairs

Each damage, which may have an influence on airframe strength or flight characteristics must be reported to the Manufacturer. The Manufacturer determines a way of repair.

Minor repairs mean the repairs of those parts, which substantially do not take a part in the aircraft function and stiffness. Among permitted repairs are:

- paint repairs
- worn-out parts replacement
- repairs of wheel tyres

Above mentioned minor repairs can be carried out by the owner himself. Repairs of torsion box, spars, wings and tail surfaces, landing gear and fuselage load-bearing structure must be carried out by authorized or any special workshop. If any surface repairs or changes, a white tone colour must be kept on upper side surfaces.

8.3. Engine Major Overhaul

The major overhaul is carried out after 2000 flight hours but not later than 10 years after putting the aircraft into operation, unless decided otherwise during regular technical inspections or by the Manufacturer bulletin. The overhaul is performed by authorized or special workshop. The overhaul and maintenance are carried out according to instructions of the engine producer.

8.4. Anchorage of the Aircraft

Anchorage of the aircraft is necessary in order to avoid eventual damage caused by wind or wind blasts during parking outside the hangar. For this purpose, the aircraft is equipped with screw mounting points for eyelets on the underside of the wingtips.

8.5. Cleaning and Care

The aircraft surface should always be treated with suitable cleaning agents. Oil and grease remnants can be removed from the aircraft surface by suitable surface active substances or alcohol. The canopy should be only cleaned with a sufficient lukewarm water flow with addition of suitable surface active substances. Never use petrol or chemical solvents. Do not use water jet stream for airframe cleaning and avoid water inlet into Pitot-static system, engine compartment, ventilation and other airframe open spaces.

Chapter 9

9. Weight and Balance

9.1. Introduction

9.2. Empty Weight

9.3. Maximum Take-off Weight

9.4. CG Range

9.5. CG Determination

9.6. Useful Load, Weight Table

9.1. Introduction

Weight, useful load and centre of gravity data are described in this chapter.

9.2. Empty Weight

The empty weight is the weight of fully equipped, ready to operate aircraft, excluding fuel and crew. Empty weight is a total sum of all weight values measured under all undercarriage wheels simultaneously.

The **empty weight** of the aircraft is

..... kg

9.3. Maximum Take-off Weight

The maximum take-off weight defined by the Manufacturer and Czech UL 2 regulation is

..... kg

Never exceed the maximum take-off weight!

9.4. Centre of Gravity Range

Centre of gravity of empty aircraft is % of MAC

Flight range of centre of gravity27 - 36..... % of MAC

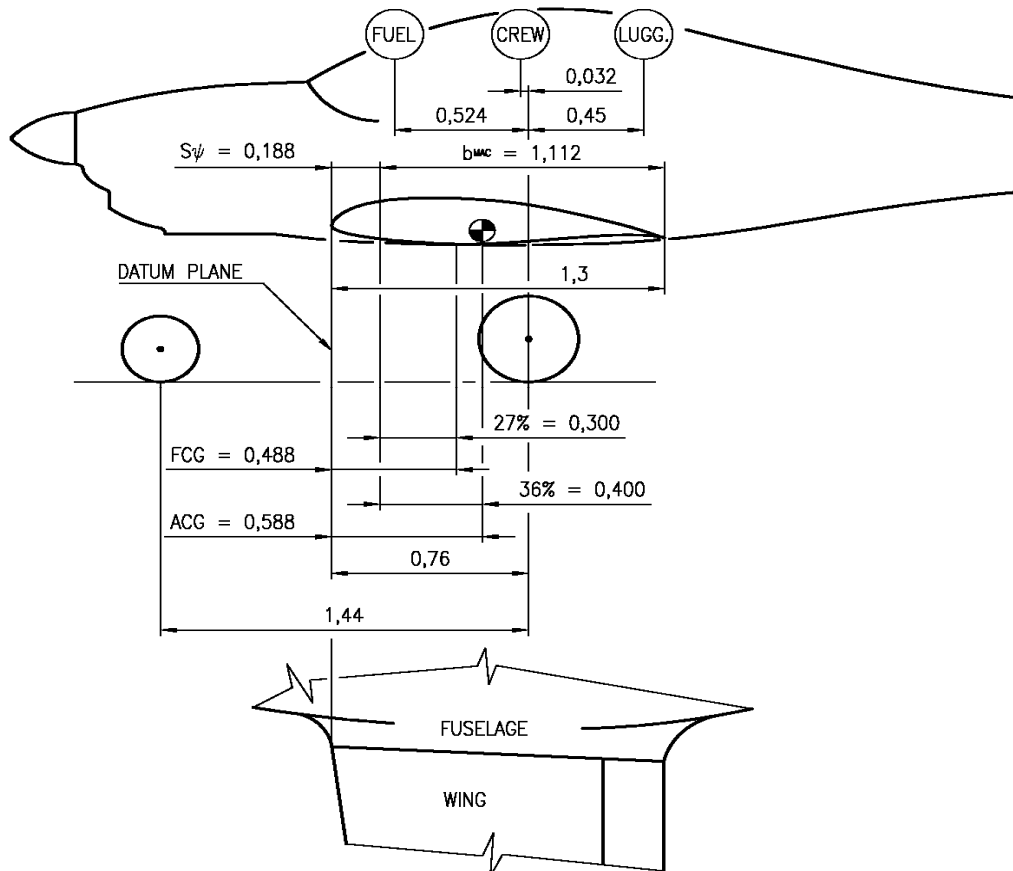
Operation over this range is prohibited!

9.5. Centre of gravity determination

The aircraft has to be weighed in flight position including crew and fuel.

Weight on main wheels	G_1	(kg)
Weight on front wheel	G_2	(kg)
Total weight $G_1 + G_2$	$G = G_1 + G_2$	(kg)
Distance from main wheel axis to front wheel axis ..	$X_{MW-FW} = 1,44$	(m)
Distance from main wheel axis to wing leading edge in wing root area	$X_{MW-LE} = 0,76$	(m)
CG distance from main wheel axis	$X_{MW-CG} = G_2 * X_{MW-FW} / G$	(m)
Length of MAC	$b_{MAC} = 1,112$	(m)
Length of wing chord in the root area	$b = 1,300$	(m)
Back-swept MAC displacement	$S_y = 0,19$	(m)
Distance from CG to leading edge	$X_{CG} = X_{MW-LE} - X_{MW-CG}$	(m)
Distance from CG to leading edge of MAC	$X_{CG-MAC} = X_{MW-LE} - X_{MW-CG} - S_y =$ $= 0,57 - 1,44 * G_2 / G$	(m)
	$X_{CG-MAC\%} = X_{CG-MAC} * 100 / 1,112 =$ $= 51,26 - 129,5 * G_2 / G$	(%)

ATEC 321 FAETA W/B CHART



9.6. Useful load, weight sheet

Useful load is the weight difference between the maximum take-off weight and the empty weight determined by weighing.

When the aircraft empty weight is of kg, the useful load is kg.

Aircraft weight and centre of gravity sheet, fuel tanks of 2 x 50 L, take-off weight of kg

Fuel amount (L) 1L = 0,775 kg	Crew weight (kg)	Load in luggage compartment (kg)	Centre of gravity (% MAC)	Total aircraft weight (kg)
0	MAX	5		450,0
0	MAX	0		450,0
¼ ... 25 L	MAX	5		450,0
½ ... 50 L	MAX	5		450,0
¾ ... 75 L	MAX	5		450,0
1 ... 100 L	MAX	5		450,0
1 ... 100 L	MAX	0		450,0
1 ... 100 L	MIN	0		417,0
0	0	0		

If above listed limits are kept, the centre of gravity is situated in permitted position range.



Issued by the Manufacturer:

Atec, v.o.s.
Opolanská 301
289 07 Libice nad Cidlinou
Czech Republic

www.atecaircraft.eu